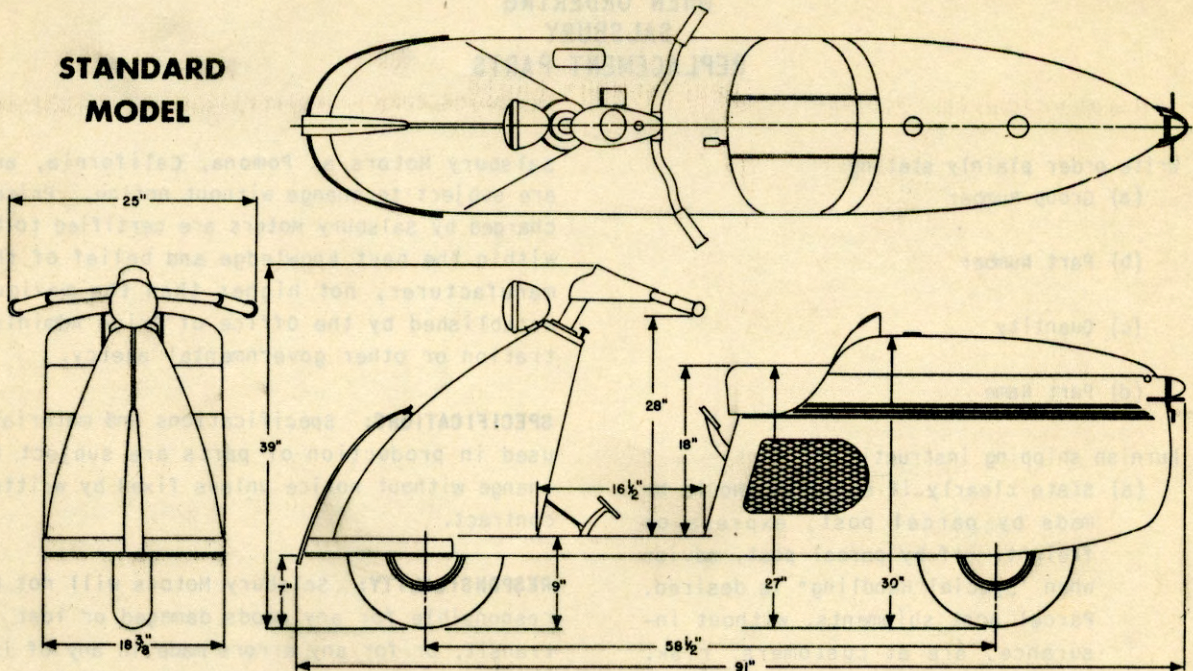
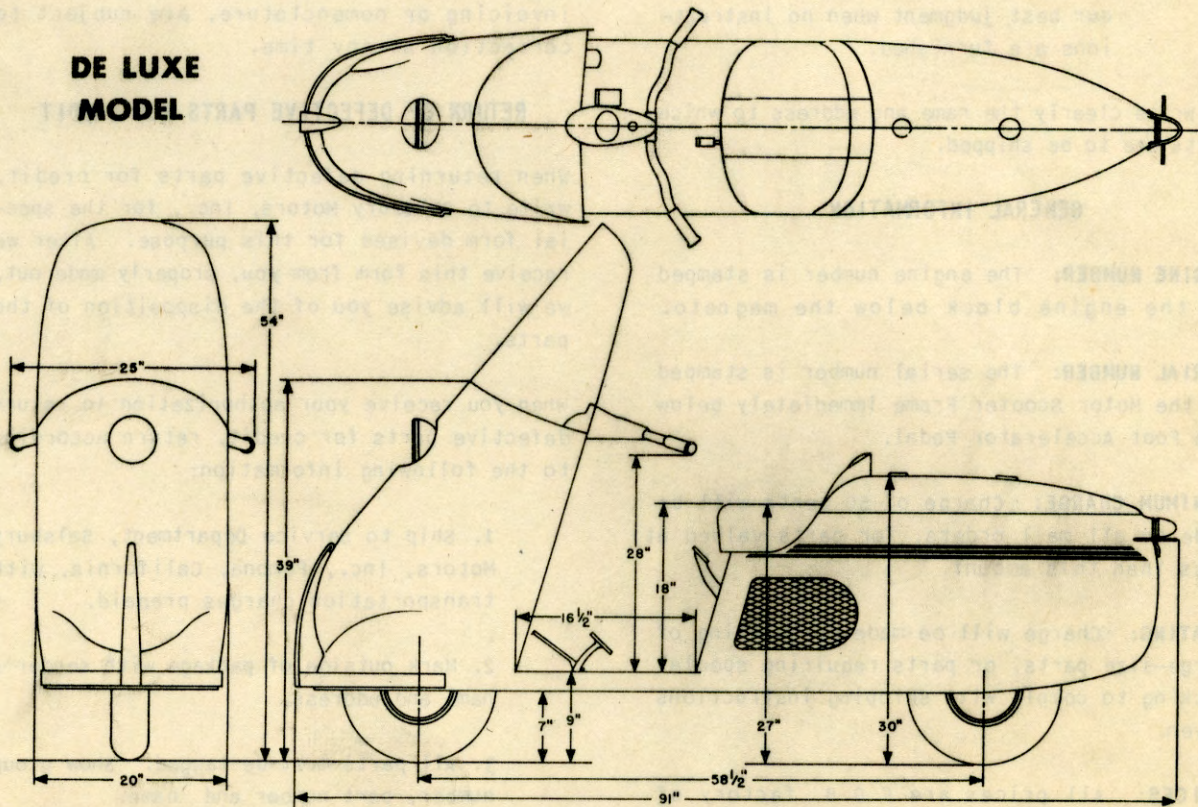


**STANDARD
MODEL**



**DE LUXE
MODEL**



DIMENSION PRINTS OF STANDARD AND DE LUXE MODELS 85

WHEN ORDERING SALSBURY REPLACEMENT PARTS

1. Write order plainly stating:

- (a) Group Number
- (b) Part Number
- (c) Quantity
- (d) Part Name

2. Furnish shipping instructions

- (a) State clearly if shipment should be made by parcel post, express or freight. If by parcel post, advise when "Special Handling" is desired. Parcel post shipments, without insurance, are at customers risk.
- (b) Shipment will be made according to our best judgment when no instructions are furnished.

3. Write clearly the name and address to which parts are to be shipped.

GENERAL INFORMATION

ENGINE NUMBER: The engine number is stamped on the engine block below the magneto.

SERIAL NUMBER: The serial number is stamped on the Motor Scooter Frame immediately below the Foot Accelerator Pedal.

MINIMUM CHARGE: Charge of 50 cents will be made on all mail orders, for parts valued at less than this amount.

CRATING: Charge will be made for crating of large-size parts, or parts requiring special packing to comply with shipping instructions given.

PRICES: All prices are F.O.B. factory of

Salsbury Motors at Pomona, California, and are subject to change without notice. Prices charged by Salsbury Motors are certified to be within the best knowledge and belief of the manufacturer, not higher than the maximum established by the Office of Price Administration or other governmental agency.

SPECIFICATIONS: Specifications and materials used in production of parts are subject to change without notice unless fixed by written contract.

RESPONSIBILITY: Salsbury Motors will not be responsible for any goods damaged or lost in transit, or for any errors made in any of its publications or other forms of printed matter, including these Parts Books. Errors in pricing invoicing or nomenclature, are subject to correction at any time.

RETURN OF DEFECTIVE PARTS FOR CREDIT

When returning defective parts for credit, write to Salsbury Motors, Inc., for the special form devised for this purpose. After we receive this form from you, properly made out, we will advise you of the disposition of the parts.

When you receive your authorization to return defective parts for credit, return according to the following information:

1. Ship to Service Department, Salsbury Motors, Inc., Pomona, California, with transportation charges prepaid.
2. Mark outside of package with sender's name and address.
3. All parts must be tagged. Show group number, part number and name.

LOCATING AND ORDERING SALSBURY REPLACEMENT PARTS

On pages 11 and 12 you will find the names of all Salsbury Model 85 Motor Scooter Parts listed alphabetically. Each part name has been given a group number. This group number serves as a locating number. Group numbers are listed in numerical order starting with page 13 of the Master Parts and Price List Pages.

To locate a part:

(a) Find the part name and group number in the alphabetical pages.

(b) Turn to the corresponding group number located in the Master Parts and Price List Pages.

(c) There you will find the part number, quantity used, parts name and the machine model in which it is used.

Parts pictures included herein will assist in locating part names and numbers with which you are not familiar. Every part in each picture is identified with a group number. With the aid of this number you can locate in the Master Parts and Price List pages the part number, quantity used, parts name and the machine model in which it is used.

On page 21 you will find a numerical parts list for use as a cross reference.

When ordering parts, always use the group number, part number, part name and quantity desired.

Motor scooter parts groups are listed below:

Group 0.001 to 0.999

Engine

Group 1.001 to 1.999

Carbureter
Exhaust
Starters
Tanks and Lines
Throttle and Accelerators

Group 2.001 to 2.999

Flywheel
Generator
Wires
Magneto

Group 3.001 to 3.999

Governor

Group 4.001 to 4.999

Countershaft
Wheel Mounting Arm
Chain and Sprockets

Group 5.001 to 5.999

Body
Frame
Steering

Group 6.001 to 6.999

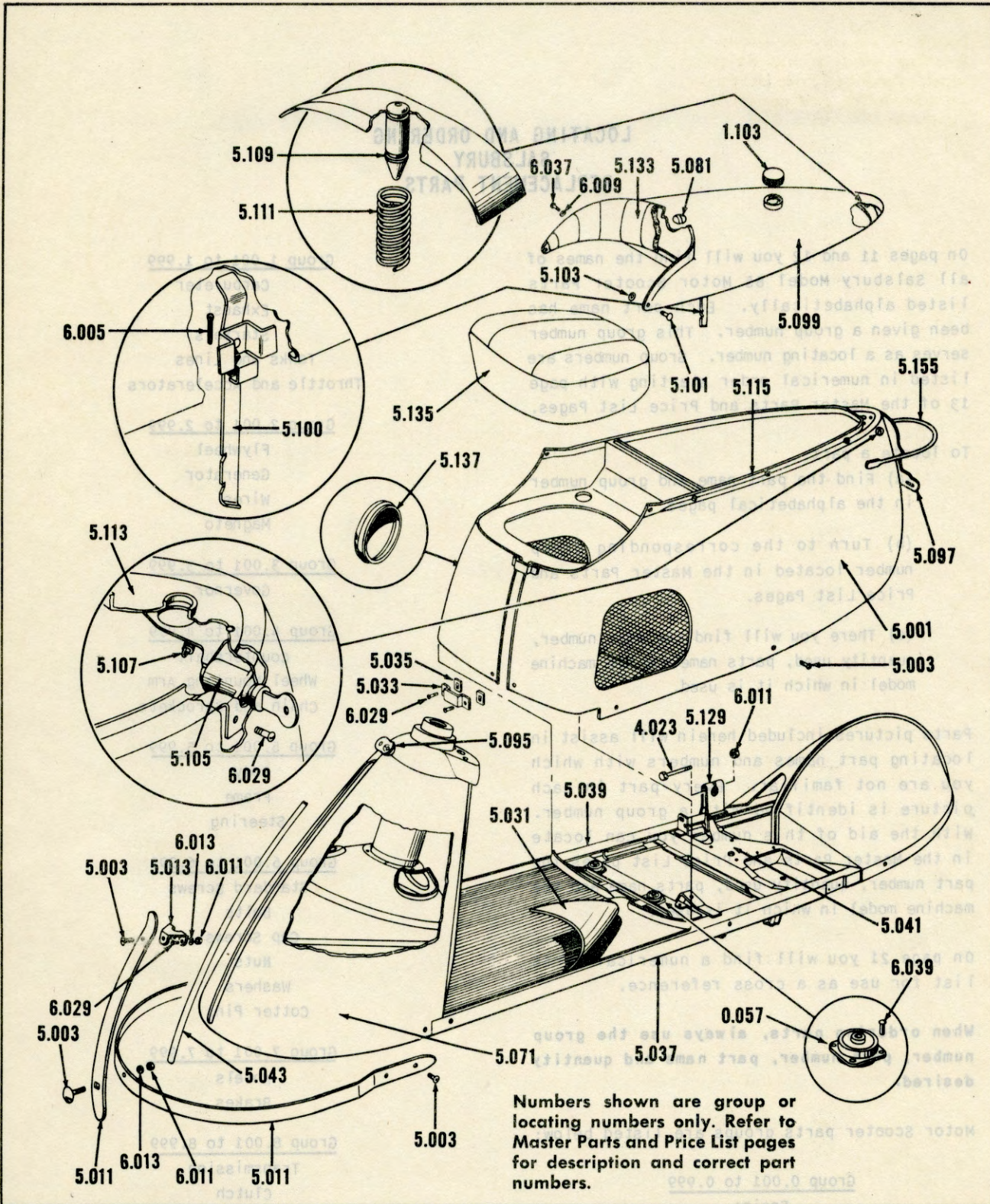
Standard Screws
Bolts
Cap Screws
Nuts
Washers
Cotter Pins

Group 7.001 to 7.999

Wheels
Brakes

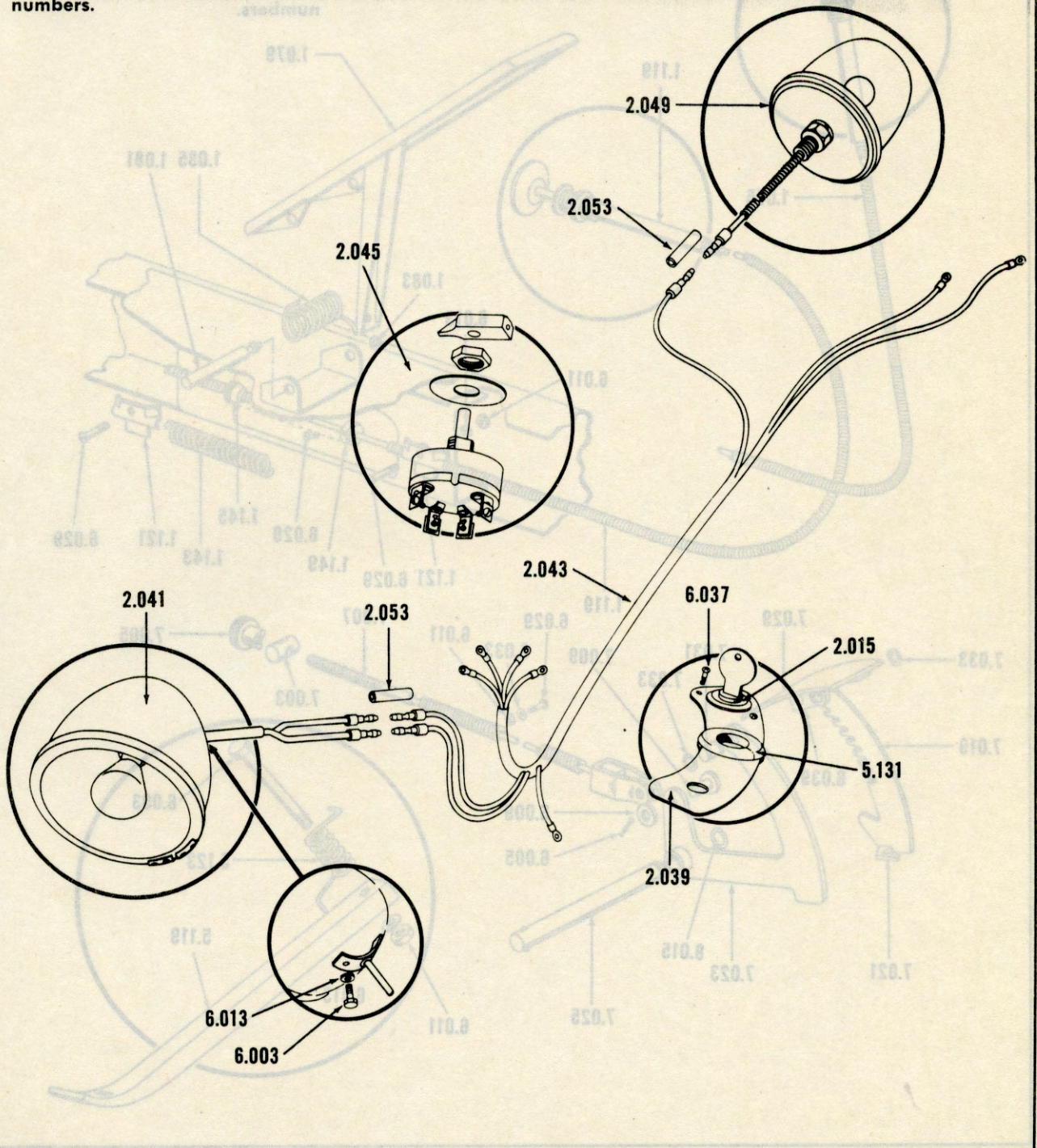
Group 8.001 to 8.999

Transmission
Clutch
Drive & Driven Pulleys

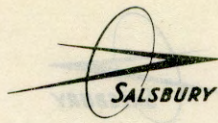


MODEL 85 STANDARD MOTOR SCOOTER FRAME AND BODY ASSEMBLY

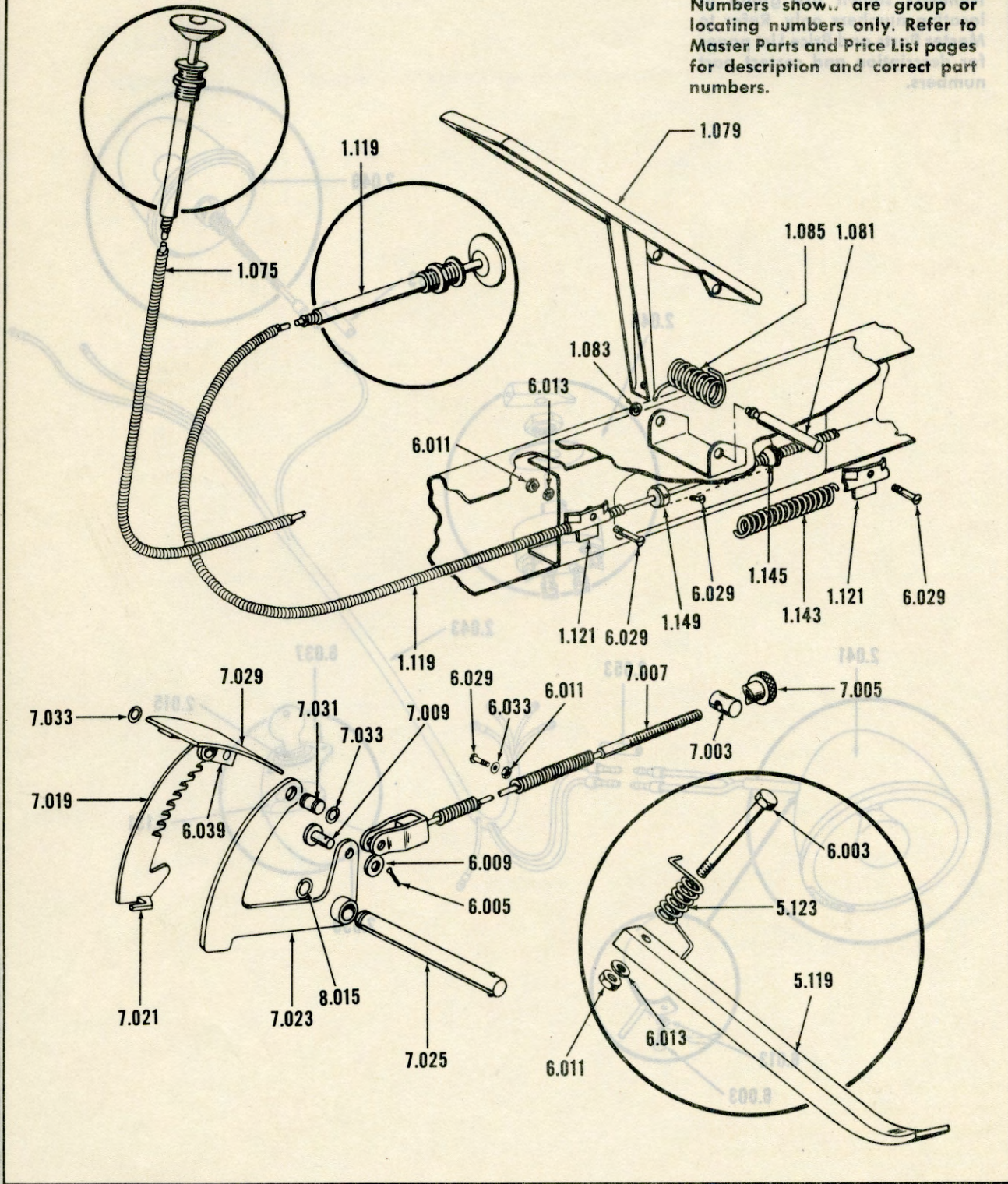
Numbers shown are group or locating numbers only. Refer to Master Parts and Price List pages for description and correct part numbers.



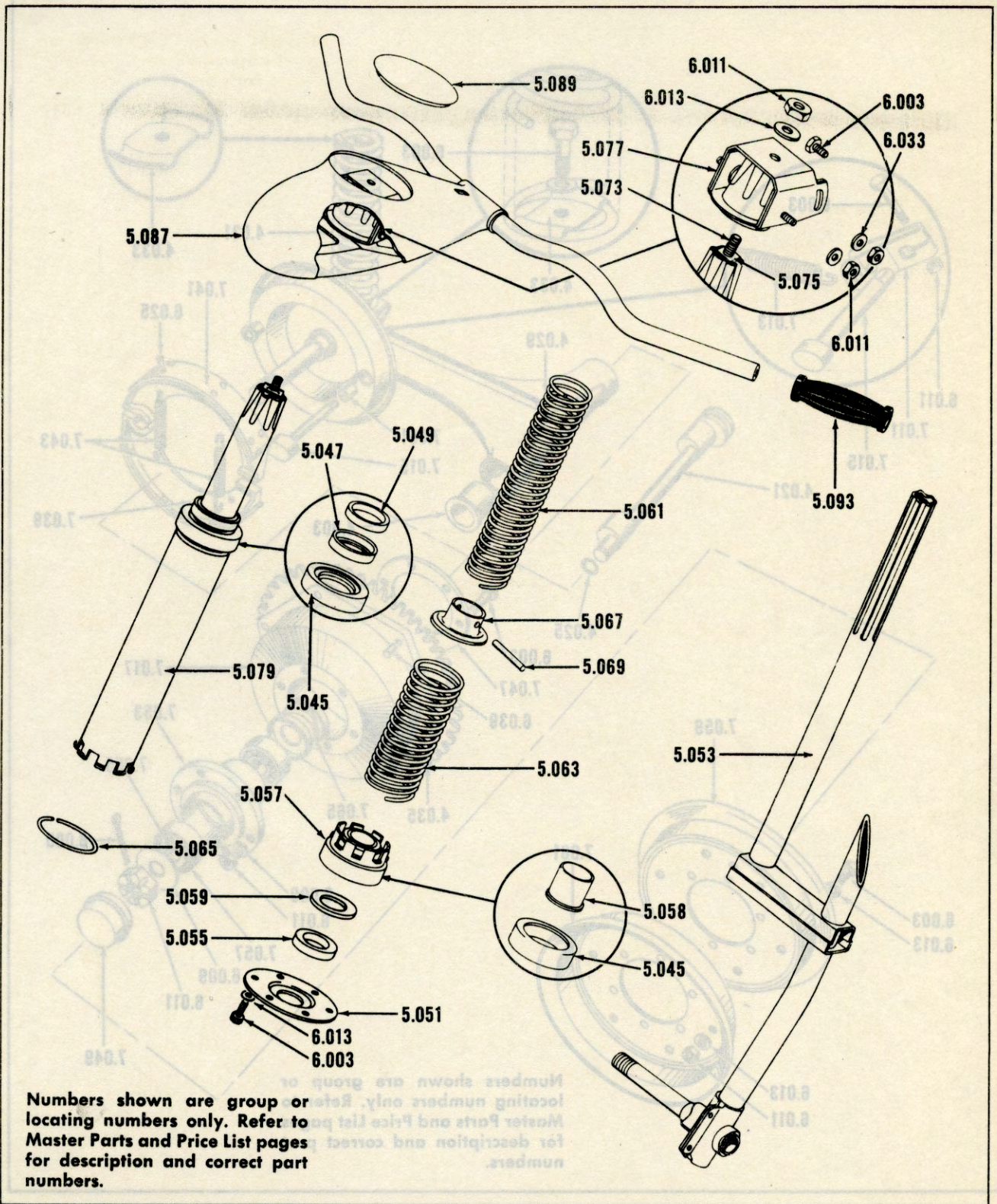
MODEL 85 MOTOR SCOOTER LAMPS, SWITCHES, ELECTRICAL WIRING



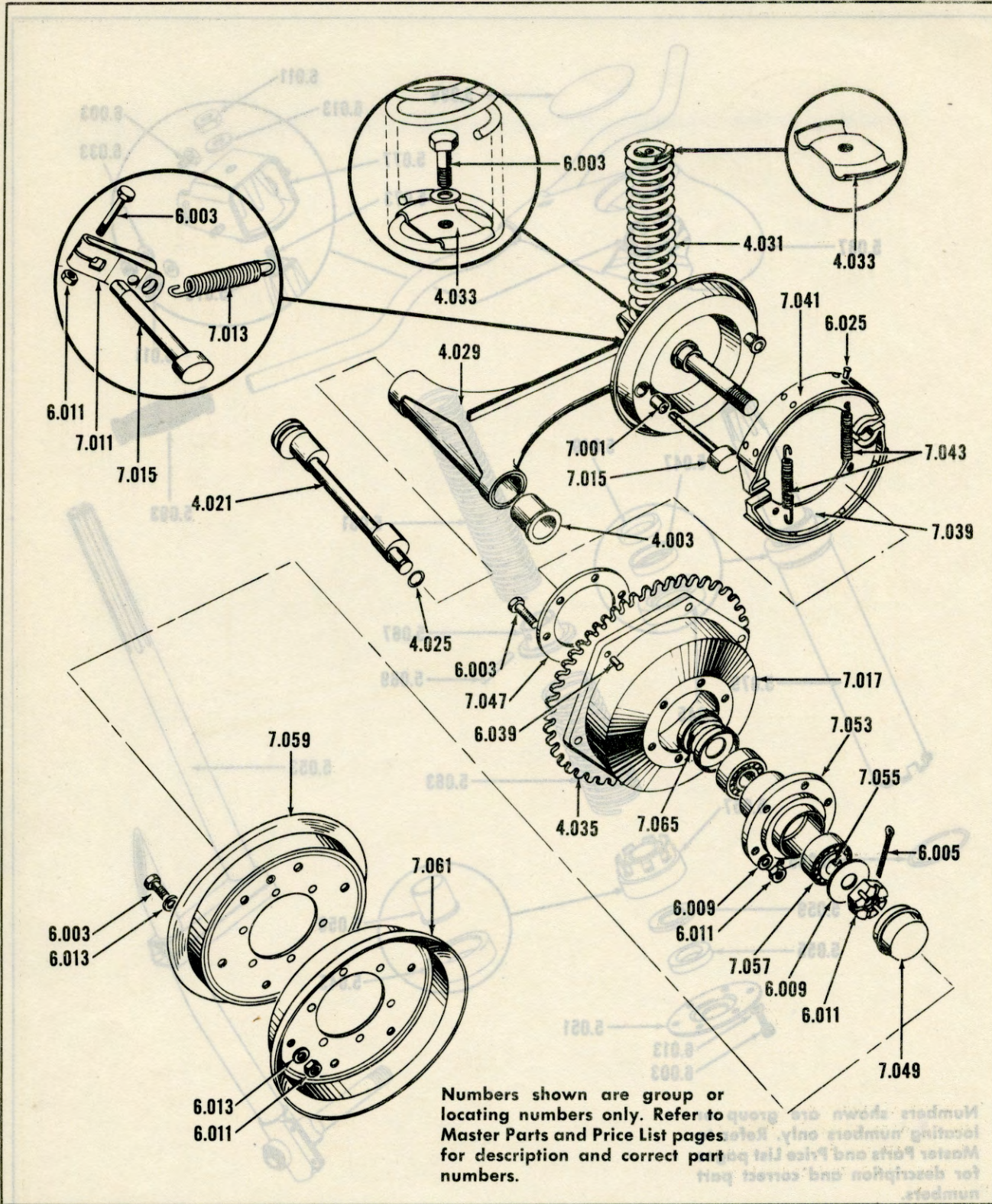
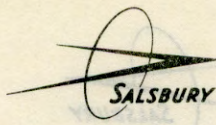
Numbers shown are group or locating numbers only. Refer to Master Parts and Price List pages for description and correct part numbers.



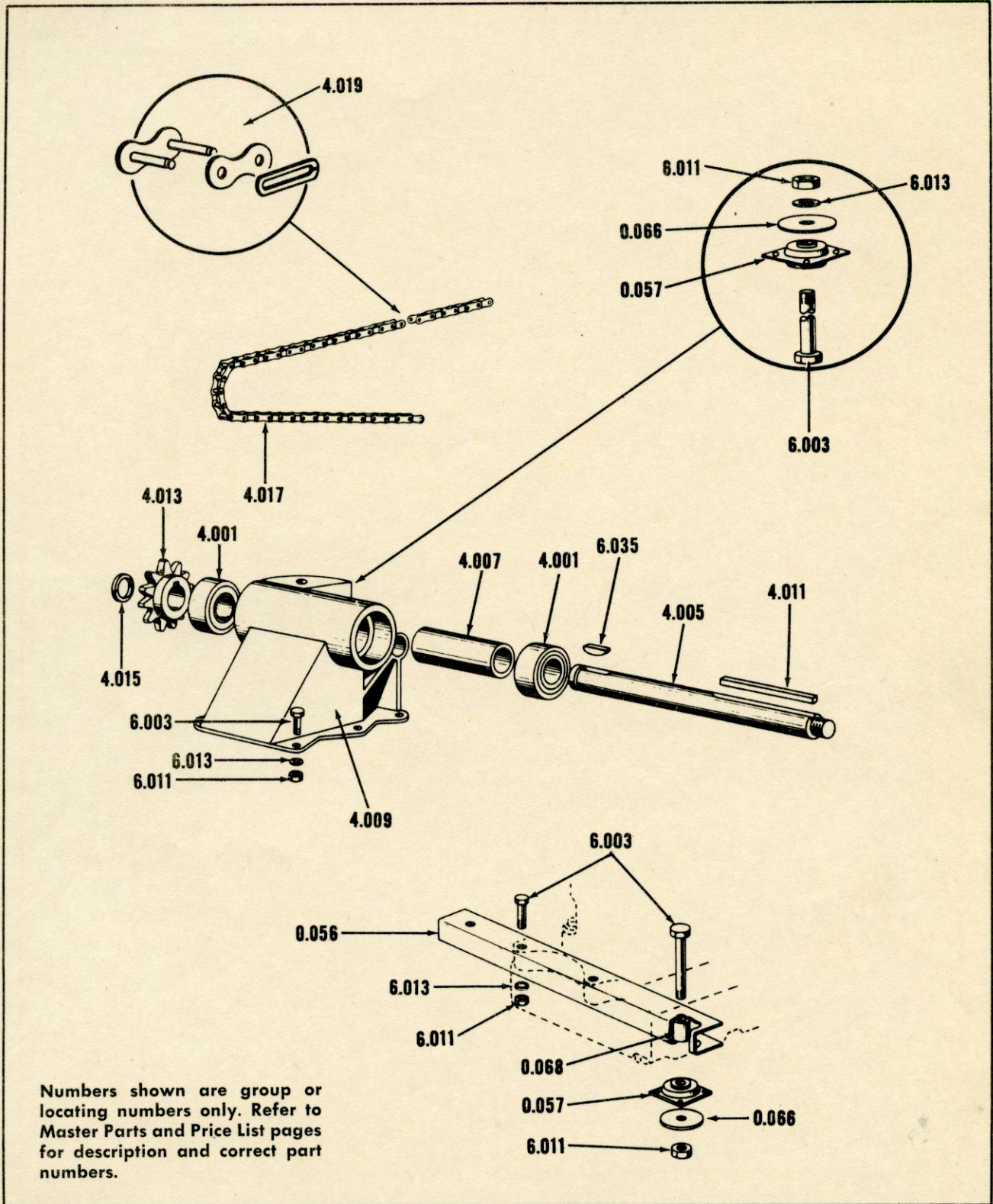
MODEL 85 MOTOR SCOOTER THROTTLE AND BRAKE CONTROLS



MODEL 85 MOTOR SCOOTER FRONT FORK



MODEL 85 MOTOR SCOOTER MOUNTING ARM AND REAR WHEEL



MODEL 85 MOTOR SCOOTER COUNTER SHAFT AND ENGINE MOUNTING BRACKETS

ALPHABETICAL INDEX
ALL MODEL 85 SCOOTERS

Part Name	Group No.	Part Name	Group No.
Ball Bearing	4.001	Foot Starter Lever Slot Lower Trim	
Body Assembly	5.001	Plate	5.033
Brake Anchor Plate Camshaft Bushing	7.001	Foot Starter Lever Slot Lower Trim	
Brake and Accelerator Cable Support		Plate Anchor Nut	5.035
Bracket - Rear Cross Member	5.005	Frame and Floor Assembly	5.037
Brake Arm Toggle Pin	7.003	Frame - Cone - Rear Fender and Floor	
Brake Cable Adjusting Nut	7.005	Assembly	5.039
Brake Cable Assembly	7.007	Frame Rear Cross Member Assembly	5.041
Brake Cable to Lever Clevis Pin	7.009	Front Cone Dresser Moulding	5.043
Brake Cam Operating Arm	7.011	Front Fork Ball Thrust Bearing - Upper	
Brake Cam Operating Arm Retracting Spring	7.013	and Lower	5.045
Brake Camshaft	7.015	Front Fork Bearing Oil Retainer Cup - Upper	5.047
Brake Drum - Rear Wheel	7.017	Front Fork Bearing Oil Retainer Felt -	
Brake Lever Ratchet	7.019	Upper	5.049
Brake Pedal and Ratchet Assembly	7.021	Front Fork Bearing Retainer - Lower	5.051
Brake Pedal Lever Assembly	7.023	Front Fork Lower Assembly	5.053
Brake Pedal Lever Shaft	7.025	Front Fork Lower Oil Seal	5.055
Brake Pedal Pad and Hinge Assembly	7.029	Front Fork Lower Spring Retainer and	
Brake Pedal Ratchet Pin	7.031	Bearing Assembly	5.057
Brake Pedal Ratchet Pin Snap Ring	7.033	Front Fork Lower Spring Retainer Bushing	5.058
Brake Pedal Shaft and Cable Bracket -		Front Fork Oil Seal Retaining Washer	5.059
Right Hand	7.035	Front Fork Shock Absorbing Spring	5.061
Brake Pedal Shaft Bracket - Left Hand	7.037	Front Fork Snubber Spring	5.063
Brake Ratchet Lock Plate	5.007	Front Fork Spring Retainer Snap Ring	5.065
Brake Shoe Assembly	7.039	Front Fork Spring Retaining Collar -	
Brake Shoe Lining	7.041	Center	5.067
Brake Shoe Spring	7.043	Front Fork Spring Retaining Collar Pin	5.069
Bumper - Front	5.011	Front Fork Support Cone Assembly	5.071
Bumper to Cone Attaching Bracket (Vertical		Front Fork to Handle Bar Bracket Clamp	
Bumper)	5.013	Bolt	5.073
Bushing - Rear Wheel Mounting Arm	4.003	Front Fork to Handle Bar Bracket Clamp Bolt	
		Anchor Nut	5.075
Cap Screw - Hex. Head	6.003	Front Fork Tube Top Fitting Assembly	5.077
Carbureter Choke Return Spring	1.153	Front Fork Upper Tube Assembly	5.079
Carriage Bolt	6.043	Fuel Gauge Assembly	5.081
Choke Assembly - Wire and Casing	1.075	Gasoline Line Assembly	1.089
Clutch Assembly	8.001	Gasoline Tank Filler Cap	1.103
Clutch Drum Lining	8.003	Gasoline Tank Outlet Flange Assembly	5.085
Clutch Retaining Snap Ring	8.005	Grease Seal - Front and Rear Wheel	7.045
Clutch Shoe	8.007		
Clutch Shoe Mounting Plate Assembly	8.009	Handle Bar and Bracket Assembly	5.087
Clutch Shoe Spring	8.011	Handle Bar Bracket Speedometer Opening Cap	5.089
Clutch Shoe Stud Reinforcing Plate	8.013	Handle Bar Rubber Grips	5.093
Clutch Starting Shoe	8.017	Head Lamp Assembly	2.041
Clutch Starting Shoe Spring	8.019	Head Lamp Support Bracket	5.095
Cotter Pin	6.005	Hex. Nut	6.011
Countershaft	4.005	Hub Bolt Locking Plate - Front and	
Countershaft Bearing Sleeve	4.007	Rear Wheel	7.047
Countershaft Bearing Support Bracket	4.009	Hub Cap - Front and Rear Wheel	7.049
Countershaft Driven Pulley Key	4.011	Hub - Front Wheel	7.051
Countershaft Drive Sprocket	4.013	Hub - Rear Wheel	7.053
Countershaft Drive Sprocket Snap Ring	4.015		
Cowl and Bracket Assembly - Front	5.015	Ignition Switch	2.015
Cowl and Windshield Assembly - Deluxe	5.017	Ignition Switch Dresser Plate	2.039
Cowl to Cone Bracket	5.019		
Cowl Top Trim Strip	5.021	License Plate Bracket	5.097
Cowl to Windshield Rubber weather strip	5.023	Lighting Wire Assembly	2.043
		Light Switch - Head and Tail	2.045
Decalcomania	5.025	Light Switch Dresser Plate - Head and Tail	2.047
Drive Chain	4.017	Lock Washer	6.013
Drive Chain Connecting Link	4.019	Luggage Compartment Cover and Gasoline	
		Tank Assembly	5.099
Eccentric Shaft - Rear Wheel Mounting Arm	4.021	Luggage Compartment Cover and Gasoline	
Eccentric Shaft Clamp Bolt - Rear Wheel		Tank Support Arm	5.100
Mounting Arm	4.023	Luggage Compartment Cover Hinge Pin	5.101
Eccentric Shaft Snap Ring - Rear Wheel		Luggage Compartment Cover Hinge Pin	
Mounting Arm	4.025	Snap Ring	5.103
Eccentric Shaft Washer - Rear Wheel		Luggage Compartment Cover Lock Assembly	5.105
Mounting Arm	4.027	Luggage Compartment Cover Lock Lever Springs	5.107
Electric Wire Connector	2.053	Luggage Compartment Cover Lock Pin	5.109
Engine Base Mounting Bracket	0.056	Luggage Compartment Cover Lock Pin Spring	5.111
Engine Rubber Mounting	0.057	Luggage Compartment Cover Lock Plate and	
Engine Rubber Mounting Safety Washer	0.066	Lock Assembly	5.113
Engine Rubber Mounting Spacer	0.068	Luggage Compartment Cover Rubber Bumper	5.115
		Luggage Compartment Weather Seal	5.117
Flat Washer	6.009	Mounting Arm Assembly - Rear Wheel	4.029
Floor Board Rubber Mat	5.031	Mounting Arm Bracket - Right Hand	5.129
Foot Accelerator Pedal	1.079		
Foot Accelerator Pedal Hinge Bracket	1.155	Oil Retainer Cup - Front and Rear Wheel	7.063
Foot Accelerator Pedal Hinge Pin	1.081	Oil Retainer Seal Washer - Front and Rear	
Foot Accelerator Pedal Hinge Pin Snap Ring	1.083	Wheel	7.065
Foot Accelerator Pedal Hinge Pin	1.085		

ALPHABETICAL INDEX
ALL MODEL 85 SCOOTERS

Part Name	Group No.	Part Name	Group No.
Pin Nut	6.015	Speedometer Pinion Shaft Housing Bushing	5.153
Parking Stand	5.119	Spring - Rear Axle Suspension	4.031
Parking Stand Mounting Bracket Assembly	5.121	Spring Anchor - Rear Axle Suspension	4.033
Parking Stand Spring	5.123	Sprocket - Rear Wheel Driven	4.035
Parking Stand Stop	5.127		
Parking Stand Stowage Clip	5.125	Tail Lamp Assembly	2.049
Rivet - Flat Head	6.025	Tail Lamp Guard	5.155
Rivet - Oval Head	6.045	Throttle Cable and Wire Assembly	1.119
Rivet - Round Head	6.039	Throttle Cable Clamp	1.121
Rubber Grommet - Front Cone	5.131	Throttle Control Return Spring	1.143
Rubber Grommet - Light Wire	2.055	Throttle Spring Guide	1.145
Screw - Oval Head - Slotted	5.003	Throttle Wire Lug	1.149
Screw - Round Head - Slotted	6.029	Timken Bearing and Cone - Front and Rear Wheel	7.055
Seat Back Upholstering	5.133	Timken Bearing Cup - Front and Rear Wheel	7.057
Seat Cushion Assembly	5.135	Tool Equipment	5.157
Self Tapping Screws	6.037	Transmission Drive Belt	8.021
Side Body Panel Chain Adjustment Opening Cap	5.137	Transmission Drive Pulley	8.023
Snap Ring for 1/2" Shaft	8.015	Transmission Driven Pulley Assembly	8.025
Spare Wheel and Tire Bracket	5.139		
Speedometer Drive Cable Assembly	5.141	Washer - Shakeproof	6.033
Speedometer Drive Hub Gear	5.143	Welding Nut	5.159
Speedometer Driven Pinion	5.145	Wheel Disc - Front and Rear - Plain Half	7.059
Speedometer Driven Pinion Shaft	5.147	Wheel Disc - Front and Rear - Valve Half	7.061
Speedometer Head	5.149	Windshield	5.161
Speedometer Pinion Housing and Bracket Assembly	5.151	Wing Nut	6.041
		Wire Terminal	2.051
		Woodruff Key	6.035

MASTER PARTS AND PRICE LIST
ALL MODEL 85 SCOOTERS

Group No.	Part No.	No. Req.	Description	List Price
0.056	Engine Base Mounting Bracket			
	6462	1	Engine Base Mounting Bracket (All Model 85 Scooters)	.85
0.057	Engine Rubber Mounting			
	5733	2	Engine - Model 600 - Lower Rubber Mounting (All Model 85 Scooters)	2.50
0.066	Engine Rubber Mounting Safety Washer			
	6100	2	Engine Rubber Mounting Safety Washer (All Model 85 Scooters)	.12
0.068	Engine Rubber Mounting Spacer			
	6592	2	Engine Rubber Mounting Spacer (All Model 85 Scooters)	.20
1.075	Choke Assembly - Wire and Casing			
	6001	1	Choke Assembly - Wire and Casing (All Model 85 Scooters)	1.50
1.079	Foot Accelerator Pedal			
	5514	1	Foot Accelerator Pedal (All Model 85 Scooters)	2.00
1.081	Foot Accelerator Pedal Hinge Pin			
	5996	1	Foot Accelerator Pedal Hinge Pin (All Model 85 Scooters)	.30
1.083	Foot Accelerator Pedal Hinge Pin Snap Ring			
	5997	1	Foot Accelerator Pedal Hinge Pin Snap Ring (All Model 85 Scooters)	.02
1.085	Foot Accelerator Pedal Spring			
	5518	1	Foot Accelerator Pedal Spring (All Model 85 Scooters)	.10
1.089	Gasoline Line Assembly			
	6740	1	Gasoline Line Assembly (All Model 85 Scooters)	1.50
1.103	Gasoline Tank Filler Cap			
	5905	1	Gasoline Tank Filler Cap - Not Vented (All Model 85 Scooters)	.95
1.119	Throttle Cable and Wire Assembly			
	5999	1	Throttle Cable and Wire Assembly (All Model 85 Scooters)	1.75
1.121	Throttle Cable Clamp			
	6168	2	Throttle Cable Clamp (All Model 85 Scooters)	.13
1.143	Throttle Control Return Spring			
	5923	1	Throttle Control Return Spring (All Model 85 Scooters)	.10
1.145	Throttle Spring Guide			
	6172	1	Throttle Spring Guide (All Model 85 Scooters)	.20
1.149	Throttle Wire Lug			
	6173	1	Throttle Wire Lug (All Model 85 Scooters)	.35
1.153	Carburetor Choke Return Spring			
	8170	1	Carburetor Choke Return Spring (All Model 85 Scooters)	.05
1.155	Foot Accelerator Pedal Hinge Bracket			
	5517	1	Foot Accelerator Pedal Hinge Bracket (All Model 85 Scooters)	.25
2.015	Ignition Switch			
	6002	1	Ignition Switch (All Model 85 Scooters)	1.95
2.039	Ignition Switch Dresser Plate			
	6319	1	Ignition Switch Dresser Plate (All Model 85 Scooters)	.70
2.041	Head Lamp Assembly			
	5890	1	Head Lamp Assembly (All Model 85 Scooters)	3.75
2.043	Lighting Wire Assembly			
	5988	1	Lighting Wire Assembly (All Model 85 Scooters)	6.00
2.045	Light Switch - Head and Tail			
	6003	1	Light Switch - Head and Tail (All Model 85 Scooters)	1.25
2.047	Light Switch Dresser Plate - Head and Tail			
	8187	1	Light Switch Dresser Plate - Head and Tail (All Model 85 Scooters)	.25
2.049	Tail Lamp Assembly			
	5862	1	Tail Lamp Assembly (All Model 85 Scooters)	2.60
2.051	Wire Terminal			
	6710	1	Wire Terminal - Tail Lamp (All Model 85 Scooters)	.03
2.053	Electric Wire Connector			
	6659	1	Electric Wire Connector (All Model 85 Scooters)	.10

Salsbury Scooter Scrapbooks.com

MASTER PARTS AND PRICE LIST
ALL MODEL 85 SCOOTERS

Group No.	Part No.	No. Req.	Description	List Price
2.055	Rubber Grommet - Light wire 8727	2	Rubber grommet - Light wire (All Model 85 Scooters)	.02
4.001	Ball Bearing 5941	2	Ball Bearing N.D.8505 - Countershaft (All Model 85 Scooters)	2.70
4.003	Bushing - Rear Wheel Mounting Arm 5629	2	Bushing - Rear Wheel Mounting Arm (All Model 85 Scooters)	1.40
4.005	Countershaft 6048	1	Countershaft (All Model 85 Scooters)	3.25
4.007	Countershaft Bearing Sleeve 5791	1	Countershaft Bearing Sleeve (All Model 85 Scooters)	.65
4.009	Countershaft Bearing Support Bracket 6391	1	Countershaft Bearing Support Bracket (All model 85 Scooters)	2.75
4.011	Countershaft Driven Pulley Key 5942	1	Countershaft Driven Pulley Key (All Model 85 Scooters)	.25
4.013	Countershaft Drive Sprocket 5902	1	Countershaft Drive Sprocket (All Model 85 Scooters)	4.75
4.015	Countershaft Drive Sprocket Snap Ring 6414	1	Countershaft Drive Sprocket Snap Ring (All Model 85 Scooters)	.10
4.017	Drive Chain 5990	1	Drive Chain (All Model 85 Scooters)	5.25
4.019	Drive Chain Connecting Link 5991	1	Drive Chain Connecting Link (All Model 85 Scooters)	.20
4.021	Eccentric Shaft - Rear Wheel Mounting Arm 6130	1	Eccentric shaft - Rear Wheel Mounting Arm (All Model 85 Scooters)	6.50
4.023	Eccentric Shaft Clamp Bolt - Rear Wheel Mounting Arm 6858	1	Eccentric Shaft Clamp Bolt - Rear Wheel Mounting Arm (All Model 85 Scooters)	.10
4.025	Eccentric Shaft Snap Ring - Rear Wheel Mounting Arm 5904	1	Eccentric Shaft Snap Ring - Rear Wheel Mounting Arm (All Model 85 Scooters)	.20
4.027	Eccentric Shaft Washer - Rear Wheel Mounting Arm 5907	1	Eccentric Shaft Washer - Rear Wheel Mounting Arm (All Model 85 Scooters)	.05
4.029	Mounting Arm Assembly - Rear Wheel 5450	1	Mounting Arm Assembly - Rear Wheel (All Model 85 Scooters)	15.00
4.031	Spring - Rear Axle Suspension 5213	1	Spring - Rear Axle suspension (All Model 85 Scooters)	2.15
4.033	Spring Anchor - Rear Axle Suspension 5665 6094	1 1	Spring Anchor - Rear Axle Suspension - Lower (All Model 85 Scooters) Spring Anchor - Rear Axle Suspension - Upper (All Model 85 Scooters)	.15 .40
4.035	Sprocket - Rear Wheel Driven 5204	1	Sprocket - Rear Wheel Driven (All Model 85 Scooters)	11.50
5.001	Body Assembly 6069	1	Body Assembly (All Model 85 Scooters)	35.00
5.003	Screw - Oval Head - Slotted 6852 6852 6825	4 5 1	Body to Frame Attaching Screw 5/16" - 24 x 3/4" (All Model 85 Scooters) Horizontal Front Bumper Attaching Screws 5/16" - 24 x 3/4" (All Model 85 Scooters) Vertical Front Bumper Attaching Screws 1/4" - 20 x 1/2" (All Model 85 Scooters)	.05 .05 .05
5.005	Brake and Accelerator Cable Support Bracket - Rear Cross Member 6195	1	Brake and Accelerator Cable Support Bracket - Rear Cross Member (All Model 85 Scooters)	.20
5.007	Brake Ratchet Lock Plate 6427	1	Brake Ratchet Lock Plate (All Model 85 Scooters)	.05
5.011	Bumper - Front 5871 5870	1 1	Bumper - Front Vertical (All Model 85 Scooters) Bumper - Front Horizontal (All Model 85 Scooters)	5.50 10.00

MASTER PARTS AND PRICE LIST

ALL MODEL 85 SCOOTERS

Group No.	Part No.	No. Req.	Description	List Price
5.013	Bumper to Cone Attaching Bracket (Vertical Bumper) 5926	1	Bumper to Cone Attaching Bracket (Vertical Bumper) (All Model 85 Scooters)	.20
5.015	Cowl and Bracket Assembly - Front 6567	1	Cowl and Bracket Assembly (Model 85 Deluxe Scooters Only)	13.50
5.017	Cowl and Windshield Assembly - Deluxe 5708	1	Cowl and Windshield Assembly (All Model 85 Scooters)	33.50
5.019	Cowl to Cone Bracket 6257	1	Cowl to Cone Bracket - Right Hand (Model 85 Deluxe Scooters Only)	.50
	6276	1	Cowl to Cone Bracket - Left Hand (Model 85 Deluxe Scooters Only)	.50
5.021	Cowl Top Trim Strip 6226	1	Cowl Top Trim Strip (Model 85 Deluxe Scooters Only)	2.40
5.023	Cowl to Windshield Rubber Weather Strip 6275	1	Cowl to Windshield Rubber Weather Strip (Model 85 Deluxe Scooters Only)	.90
5.025	Decalcomania 6738	1	Decalcomania - Salsbury Emblem	.25
	6700	2	Decalcomania - Body Trim Stripes	.35
	6701	2	Decalcomania - Salsbury Name Plate	.25
	6699	1	Decalcomania - Deluxe Cowl Trim Stripes	1.20
5.031	Floor Board Rubber Mat 5994	1	Floor Board Rubber Mat (All Model 85 Scooters)	3.50
5.033	Foot Starter Lever Slot Lower Trim Plate 6795	1	Foot Starter Lever Slot Lower Trim Plate (All Model 85 Scooters)	.30
5.035	Foot Starter Lever Slot Lower Trim Plate Anchor Nut 6955	2	Foot Starter Lever Slot Lower Trim Plate Anchor Nut (All Model 85 Scooters)	.07
5.037	Frame and Floor Assembly 6080	1	Frame and Floor Assembly (All Model 85 Scooters)	24.50
5.039	Frame - Cone - Rear Fender and Floor Assembly 6210	1	Frame - Cone - Rear Fender and Floor Assembly (All Model 85 Scooters)	52.25
5.041	Frame Rear Cross Member Assembly 6196	1	Frame Rear Cross Member Assembly (All Model 85 Scooters)	6.00
5.043	Front Cone Dresser Moulding 5766	1	Front Cone Dresser Moulding (All Model 85 Scooters)	1.75
5.045	Front Fork Ball Thrust Bearing - Upper and Lower 5626	2	Front Fork Ball Thrust Bearing - Upper and Lower (All Model 85 Scooters)	1.70
5.047	Front Fork Bearing Oil Retainer Cup - Upper 5689	1	Front Fork Bearing Oil Retainer Cup - Upper (All Model 85 Scooters)	.20
5.049	Front Fork Bearing Oil Retainer Felt - Upper 5690	1	Front Fork Bearing Oil Retainer Felt - Upper (All Model 85 Scooters)	.15
5.051	Front Fork Bearing Retainer - Lower 5623	1	Front Fork Bearing Retainer - Lower (All Model 85 Scooters)	.35
5.053	Front Fork Lower Assembly 5676	1	Front Fork Lower Assembly (All Model 85 Scooters)	23.75
5.055	Front Fork Lower Oil Seal 5720	1	Front Fork Lower Oil Seal (All Model 85 Scooters)	.20
5.057	Front Fork Lower Spring Retainer and Bearing Assembly 5679	1	Front Fork Lower Spring Retainer and Bearing Assembly (All Model 85 Scooters)	6.00
5.058	Front Fork Lower Spring Retainer Bushing 5767	1	Front Fork Lower Spring Retainer Bushing (All Model 85 Scooters)	.50
5.059	Front Fork Oil Seal Retaining Washer 6786	1	Front Fork Oil Seal Retaining Washer (All Model 85 Scooters)	.10
5.061	Front Fork Shock Absorbing Spring 5685	1	Front Fork Shock Absorbing Spring (All Model 85 Scooters)	2.50

Salsbury Scooter Scrapbooks.com

MASTER PARTS AND PRICE LIST
ALL MODEL 85 SCOOTERS

Group No.	Part No.	No. Req.	Description	List Price
5.063	Front Fork 5685	1	Snubber Spring Front Fork Snubber Spring (All Model 85 Scooters)	1.60
5.065	Front Fork 5686	1	Spring Retainer Snap Ring Front Fork Spring Retainer Snap Ring (All Model 85 Scooters)	.05
5.067	Front Fork 5616	1	Spring Retaining Collar - Center Front Fork Spring Retaining Collar - Center (All Model 85 Scooters)	.95
5.069	Front Fork 5682	1	Spring Retaining Collar Pin Front Fork Spring Retaining Collar Pin (All Model 85 Scooters)	.20
5.071	Front Fork 5695	1	Support Cone Assembly Front Fork Support Cone Assembly (All Model 85 Scooters)	17.50
5.073	Front Fork 5909	1	to Handle Bar Bracket Clamp Bolt Front Fork to Handle Bar Bracket Clamp Bolt (All Model 85 Scooters)	.50
5.075	Front Fork 6957	1	to Handle Bar Bracket Clamp Bolt Anchor Nut Front Fork to Handle Bar Bracket Clamp Bolt Anchor Nut (All Model 85 Scooters)	.06
5.077	Front Fork 6770	1	Tube Top Fitting Assembly Front Fork Tube top Fitting Assembly (All Model 85 Scooters)	3.50
5.079	Front Fork 5677	1	Upper Tube Assembly Front Fork Upper Tube Assembly (All Model 85 Scooters)	15.00
5.081	Fuel Gauge 6527	1	Assembly Fuel Gauge Assembly (All Model 85 Scooters)	1.25
5.085	Gasoline Tank 6084	1	Outlet Flange Assembly Gasoline Tank Outlet Flange Assembly (All Model 85 Scooters)	1.25
5.087	Handle Bar 5957	1	and Bracket Assembly Handle Bar and Bracket Assembly (All Model 85 Scooters)	9.50
5.089	Handle Bar 6707	1	Bracket Speedometer Opening Cap Handle Bar Bracket Speedometer Opening Cap (All Model 85 Scooters)	1.75
5.093	Handle Bar 5992	2	Rubber Grips Handle Bar Rubber Grips (All Model 85 Scooters)	.40
5.095	Head Lamp 6012	1	Support Bracket Head Lamp Support Bracket (All Model 85 Scooters)	.50
5.097	License Plate 5854	1	Bracket License Plate Bracket (All Model 85 Scooters)	.65
5.099	Luggage Compartment 6073	1	Cover and Gasoline Tank Assembly Luggage Compartment Cover and Gasoline Tank Assembly (All Model 85 Scooters)	21.00
5.100	Luggage Compartment 6691	1	Cover and Gasoline Tank Support Arm Luggage Compartment Cover and Gasoline Tank Support Arm (All Model 85 Scooters)	.45
5.101	Luggage Compartment 5858	2	Cover Hinge Pin Luggage Compartment Cover Hinge Pin (All Model 85 scooters)	.40
5.103	Luggage Compartment 5857	2	Cover Hinge Pin Snap Ring Luggage Compartment Cover Hinge Pin Snap Ring (All Model 85 Scooters)	.05
5.105	Luggage Compartment 5876	1	Cover Lock Assembly Luggage Compartment Cover Lock Assembly (All Model 85 Scooters)	3.00
5.107	Luggage Compartment 6206	1	Cover Lock Lever Spring Luggage Compartment Cover Lock Lever Spring (All Model 85 Scooters)	.05
5.109	Luggage Compartment 5885	1	Cover Lock Pin Luggage Compartment Cover Lock Pin (All Model 85 Scooters)	.45
5.111	Luggage Compartment 5880	1	Cover Lock Pin Spring Luggage Compartment Cover Lock Pin Spring (All Model 85 Scooters)	.10
5.113	Luggage Compartment 5875	1	Cover Lock Plate and Lock Assembly Luggage Compartment Cover Lock Plate and Lock Assembly (All Model 85 Scooters)	2.00
5.115	Luggage Compartment 6642	6	Cover Rubber Bumper Luggage Compartment Cover Rubber Bumper (All Model 85 Scooters)	.05

MASTER PARTS AND PRICE LIST
ALL MODEL 85 SCOOTERS

Group No.	Part No.	No. Req.	Description	List Price
5.117	Luggage Compartment Weather Seal 5811	1	Luggage Compartment Weather Seal (All Model 85 Scooters)	.35
5.119	Parking Stand 5636	1	Parking Stand (All Model 85 Scooters)	1.45
5.121	Parking Stand Mounting Bracket Assembly 6583	1	Parking Stand Mounting Bracket Assembly (All Model 85 Scooters)	1.00
5.123	Parking Stand Spring 5637	1	Parking Stand Spring (All Model 85 Scooters)	.35
5.125	Parking Stand Stowage Clip 6176	1	Parking Stand Stowage Clip (All Model 85 Scooters)	.50
5.127	Parking Stand Stop 5638	1	Parking Stand Stop (All Model 85 Scooters)	.15
5.129	Mounting Arm Bracket - Right Hand - Rear Wheel 6131	1	Mounting Arm Bracket - Right Hand - Rear Wheel (All Model 85 Scooters)	1.25
5.131	Rubber Grommet - Front Cone 6147	1	Rubber Grommet - Front Cone (All Model 85 Scooters)	.15
5.133	Seat Back Upholstering 6758	1	Seat Back Upholstering (All Model 85 Scooters)	6.25
5.135	Seat Cushion Assembly 5828	1	Seat Cushion Assembly (All Model 85 Scooters)	14.00
5.137	Side Body Panel Chain Adjustment Opening Cap 6706	1	Side Body Panel Chain Adjustment Opening Cap (All Model 85 Scooters)	1.00
5.139	Spare Wheel and Tire Bracket 8543	1	Spare Wheel and Tire Bracket (All Model 85 Scooters)	.75
5.141	Speedometer Drive Cable Assembly 6697	1	Speedometer Drive Cable Assembly (All Model 85 Scooters)	5.50
5.143	Speedometer Drive Hub Gear 5881	1	Speedometer Drive Hub Gear (All Model 85 Scooters)	4.25
5.145	Speedometer Driven Pinion 5879	1	Speedometer Driven Pinion (All Model 85 Scooters)	2.25
5.147	Speedometer Driven Pinion Shaft 5884	1	Speedometer Driven Pinion Shaft (All Model 85 Scooters)	2.00
5.149	Speedometer Head 6669	1	Speedometer Head (All Model 85 Scooters)	12.50
5.151	Speedometer Pinion Housing and Bracket Assembly 8726	1	Speedometer Pinion Housing and Bracket Assembly (All Model 85 Scooters)	2.45
5.153	Speedometer Pinion Shaft Housing Bushing 5908	2	Speedometer Pinion Shaft Housing Bushing (All Model 85 Scooters)	.30
5.155	Tail Lamp Guard 6441	1	Tail Lamp Guard (All Model 85 Scooters)	.55
5.157	Tool Equipment 6666	1	Tool Equipment - Spark Plug and Wheel Wrench	.80
5.159	Welding Nut 6097	1	Welding Nut - Front Vertical Bumper (All Model 85 Scooters)	.50
	6097	8	Welding Nut - Frame Side Channels (All Model 85 Scooters)	.50
5.161	Windshield 5724	1	windshield (Model 85 Deluxe Scooters Only)	18.50
6.003	Cap Screw - Hex. Head			
	6830		Cap Screw - Hex. Head $\frac{1}{4}$ " - 28 x $\frac{1}{2}$ "	.05
	6834		Cap Screw - Hex. Head $\frac{1}{4}$ " - 28 x $1\frac{1}{4}$ "	.06
	6851		Cap Screw - Hex. Head $\frac{5}{16}$ " - 24 x $\frac{5}{8}$ "	.06
	6853		Cap Screw - Hex. Head $\frac{5}{16}$ " - 24 x $\frac{3}{4}$ "	.05
	6854		Cap Screw - Hex. Head $\frac{5}{16}$ " - 24 x 1"	.05
	6855		Cap Screw - Hex. Head $\frac{5}{16}$ " - 24 x $1\frac{1}{4}$ "	.05
	6873		Cap Screw - Hex. Head $\frac{3}{8}$ " - 24 x $2\frac{1}{4}$ "	.10
	6874		Cap Screw - Hex. Head $\frac{3}{8}$ " - 24 x 2"	.11
	6875		Cap Screw - Hex. Head $\frac{3}{8}$ " - 24 x 2"	.13

Salsbury Scooter Scrapbooks.com

MASTER PARTS AND PRICE LIST
ALL MODEL 85 SCOOTERS

Group No.	Part No.	No. Reg.	Description	List Price
6.005	Cotter Pin	8033	Cotter Pin 3/32" x 1/2"	.02
		8035	Cotter Pin 1/8" x 1-1/8"	.02
6.009	Flat Washer	8000	Flat Washer 1/4" I.D. 9/16" O.D. 3/64" Thick	.02
		8002	Flat Washer 11/32" I.D. 11/16" O.D. 1/16" Thick	.03
		8005	Flat Washer 13/16" I.D. 1 1/2" O.D. 1/8" Thick	.04
6.011	Hex. Nut	6901	Hex. Nut 3/16" - 24 (Plain)	.02
		6902	Hex. Nut 3/16" - 32 (Plain)	.02
		6903	Hex. Nut 1/4" - 20 (Plain)	.03
		6904	Hex. Nut 1/4" - 28 (Plain)	.03
		6906	Hex. Nut 5/16" - 24 (Plain)	.03
		6907	Hex. Nut 3/8" - 16 (Plain)	.05
		6908	Hex. Nut 3/8" - 24 (Plain)	.05
		6920	Hex. Nut 1/2" - 20 (Jam)	.06
		6921	Hex. Nut 7/8" - 14 (Jam)	.20
		6923	Hex. Nut 5/16" - 24 (Jam)	.05
		6946	Hex. Nut 3/4" - 16 (Slotted)	.12
6.013	Lock Washer	6980	Lock Washer 3/16"	.02
		6981	Lock Washer 1/4"	.02
		6982	Lock Washer 5/16"	.02
		6983	Lock Washer 3/8"	.02
6.015	Palnut	6930	Palnut 1/2 - 20	.03
6.025	Rivet - Flat Head	8019	Rivet - Flat Head - 9/64" x 3/8" Tublar Brass	.02
6.029	Screw - Round Head - Slotted	6800	Screw - Round Head - Slotted 1/8" - 40 x 3/8"	.02
		6810	Screw - Round Head - Slotted 3/16" - 24 x 5/8"	.02
		6811	Screw - Round Head - Slotted 3/16" - 32 x 1/4"	.02
		6812	Screw - Round Head - Slotted 3/16" - 32 x 3/8"	.03
		6814	Screw - Round Head - Slotted 3/16" - 32 x 3/4"	.02
		6821	Screw - Round Head - Slotted 1/4" - 20 x 1/2"	.02
6.033	Washer - Shakeproof	6990	Washer - Shakeproof #10 Internal	.02
		6992	Washer - Shakeproof 5/16" Internal	.02
6.035	Woodruff Key	8045	Woodruff Key #11 Countershaft to Sprocket (All Model 85 Scooters)	.10
		8045	Woodruff Key #11 Crankshaft to Clutch (All Model 85 Scooters)	.10
6.037	Self Tapping Screws	6880	Self Tapping Screws #4 x 1/4"	.03
		6882	Self Tapping Screws #10 x 1/2" Phillips Head	.03
		6883	Self Tapping Screws #6 x 1/4"	.03
6.039	Rivet - Round Head	8011	Rivet - Round Head 3/16" x 3/8"	.02
		8014	Rivet - Round Head 3/16" x 1/2"	.02
6.041	Wing Nut	6966	Wing Nut 1/4" - 20	.05
6.043	Carriage Bolt	6890	Carriage Bolt 1/4" - 20 x 1"	.10
6.045	Rivet - Oval Head	8012	Rivet - Oval Head 3/16" x 3/8"	.03
7.001	Brake Anchor Plate Camshaft Bushing	5722	2 Brake Anchor Plate Camshaft Bushing (All Model 85 Scooters)	.15
7.003	Brake Arm Toggle Pin	5338	1 Brake Arm Toggle Pin (All Model 85 Scooters)	.45
7.005	Brake Cable Adjusting Nut	5337	1 Brake Cable Adjusting Nut (All Model 85 Scooters)	.65
7.007	Brake Cable Assembly	5530	1 Brake Cable Assembly (All Model 85 Scooters)	2.25

MASTER PARTS AND PRICE LIST
ALL MODEL 85 SCOOTERS

Group No.	Part No.	No. Req.	Description	List Price
7.009	Brake Cable to Lever Clevis Pin 5534	1	Brake Cable to Lever Clevis Pin (All Model 85 Scooters)	.30
7.011	Brake Cam Operating Arm 5336	1	Brake Cam Operating Arm (All Model 85 Scooters)	.30
7.013	Brake Cam Operating Arm Retracting Spring 5958	1	Brake Cam Operating Arm Retracting Spring (All Model 85 Scooters)	.30
7.015	Brake Camshaft 6120	1	Brake Camshaft (All Model 85 Scooters)	3.25
7.017	Brake Drum - Rear Wheel 5332	1	Brake Drum - Rear Wheel (All Model 85 Scooters)	6.75
7.019	Brake Lever Ratchet 6416	1	Brake Lever Ratchet (All Model 85 Scooters)	.60
7.021	Brake Pedal and Ratchet Assembly 6418	1	Brake Pedal and Ratchet Assembly (All Model 85 Scooters)	2.15
7.023	Brake Pedal Lever Assembly 6614	1	Brake Pedal Lever Assembly (All Model 85 Scooters)	1.75
7.025	Brake Pedal Lever Shaft 6139	1	Brake Pedal Lever Shaft (All Model 85 Scooters)	.90
7.029	Brake Pedal Pad and Hinge Assembly 6571	1	Brake Pedal Pad and Hinge Assembly (All Model 85 Scooters)	1.25
7.031	Brake Pedal Ratchet Pin 6419	1	Brake Pedal Ratchet Pin (All Model 85 Scooters)	.20
7.033	Brake Pedal Ratchet Pin Snap Ring 6122	2	Brake Pedal Ratchet Pin Snap Ring (All Model 85 Scooters)	.20
7.035	Brake Pedal Shaft and Cable Bracket - Right Hand 6138	1	Brake Pedal Shaft and Cable Bracket - Right Hand (All Model 85 Scooters)	.60
7.037	Brake Pedal Shaft Bracket - Left Hand 6137	1	Brake Pedal Shaft Bracket - Left Hand - (All Model 85 Scooters)	.25
7.039	Brake Shoe Assembly 5663	2	Brake Shoe Assembly (All Model 85 Scooters)	4.00
7.041	Brake Shoe Lining 5664	2	Brake Shoe Lining (All Model 85 Scooters)	1.00
7.043	Brake Shoe Spring 5343	2	Brake Shoe Spring (All Model 85 Scooters)	.25
7.045	Grease Seal - Front and Rear Wheel 8592	2	Grease Seal - Front and Rear Wheel - National Ex1763 (All Model 85 Scooters)	.80
7.047	Hub Bolt Locking Plate - Front and Rear Wheel 5468	2	Hub Bolt Locking Plate - Front and Rear Wheel (All Model 85 Scooters)	.15
7.049	Hub Cap - Front and Rear Wheel 5715	2	Hub Cap - Front and Rear Wheel (All Model 85 Scooters)	.60
7.051	Hub - Front Wheel 5960	1	Hub - Front Wheel (All Model 85 Scooters)	3.50
7.053	Hub - Rear Wheel 5508	1	Hub - Rear Wheel (All Model 85 Scooters)	3.25
7.055	Timken Bearing and Cone - Front and Rear Wheel - 09074 5956	4	Timken Bearing and Cone - Front and Rear Wheel (All Model 85 Scooters)	1.80
7.057	Timken Bearing Cup - Front and Rear Wheel - 09195 6052	4	Timken Bearing Cup - Front and Rear Wheel (All Model 85 Scooters)	.70
7.059	Wheel Disc - Front and Rear - Plain Half 5826	2	Wheel Disc - Front and Rear - Plain Half (All Model 85 Scooters)	1.75
7.061	Wheel Disc - Front and Rear - Valve Half 5827	2	Wheel Disc - Front and Rear - Valve Half (All Model 85 Scooters)	1.90
7.063	Oil Retainer Cup - Front and Rear Wheel 5470	4	Oil Retainer Cup - Front and Rear Wheel (All Model 85 Scooters)	.15

MASTER PARTS AND PRICE LIST
ALL MODEL 85 SCOOTERS

Group No.	Part No.	No. Req.	Description	List Price
7.065	Oil Retainer Seal Washer - Front and Rear Wheel			
	5471	2	Oil Retainer Seal Washer - Front and Rear Wheel (All Model 85 Scooters)	.10
8.001	Clutch Shoe Assembly			
	6091	1	Clutch Shoe Assembly (All Model 85 Scooters)	12.75
8.003	Clutch Drum Lining			
	5801	1	Clutch Drum Lining (All Model 85 Scooters)	1.90
8.005	Clutch Retaining Snap Ring			
	5971	1	Clutch Retaining Snap Ring (All Model 85 Scooters)	.20
8.007	Clutch Shoe			
	5967	2	Clutch Shoe (All Model 85 Scooters)	1.75
8.009	Clutch Shoe Mounting Plate Assembly			
	6698	1	Clutch Shoe Mounting Plate Assembly (All Model 85 Scooters)	6.30
8.011	Clutch Shoe Spring			
	6042	2	Clutch Shoe Spring (All Model 85 Scooters)	.30
8.013	Clutch Shoe Stud Reinforcing Plate			
	6090	1	Clutch Shoe Stud Reinforcing Plate (All Model 85 Scooters)	.30
8.015	Snap Ring For 1/2" Shaft			
	6040	1	Brake Pedal Lever Shaft Snap Ring (All Model 85 Scooters)	.20
	6040	4	Clutch Shoe Stud Snap Ring (All Model 85 Scooters)	.20
8.017	Clutch Starting Shoe			
	5968	2	Clutch starting shoe (All Model 85 Scooters)	1.25
8.019	Clutch Starting Shoe Spring			
	6043	2	Clutch Starting Shoe Spring (All Model 85 Scooters)	.15
8.021	Transmission Drive Belt			
	5268	1	Transmission Drive Belt (All Model 85 Scooters)	5.25
8.023	Transmission Drive Pulley			
	5814	1	Transmission Drive Pulley (All Model 85 Scooters)	40.00
8.025	Transmission Driven Pulley Assembly			
	5859	1	Transmission Driven Pulley Assembly (All Model 85 Scooters)	32.00

NUMERICAL PARTS NUMBER LIST

ALL MODEL 85 SCOOTERS

Part No.	Group No.	Part No.	Group No.	Part No.	Group No.	Part No.	Group No.
5204	4.035	5859	8.025	6122	7.033	6812	6.029
5213	4.031	5862	2.049	6130	4.021	6814	6.029
5268	8.021	5870	5.011	6131	5.129	6821	6.029
5332	7.017	5871	5.011	6137	7.037	6825	5.003
5336	7.011	5875	5.113	6138	7.035	6830	6.003
5337	7.005	5876	5.105	6139	7.025	6834	6.003
5338	7.003	5879	5.145	6147	5.131	6851	6.003
5343	7.043	5880	5.111	6168	1.121	6852	5.003
5450	4.029	5881	5.143	6172	1.145	6853	6.003
5468	7.047	5884	5.147	6173	1.149	6854	6.003
5470	7.063	5885	5.109	6176	5.125	6855	6.003
5471	7.065	5890	2.041	6195	5.005	6858	4.023
5508	7.053	5902	4.013	6196	5.041	6873	6.003
5514	1.079	5904	4.025	6206	5.107	6874	6.003
5517	1.155	5905	1.103	6210	5.039	6875	6.003
5518	1.085	5907	4.027	6226	5.021	6880	6.037
5530	7.007	5908	5.153	6257	5.019	6882	6.037
5534	7.009	5909	5.073	6275	5.023	6883	6.037
5616	5.067	5923	1.143	6276	5.019	6890	6.043
5623	5.051	5926	5.013	6319	2.039	6901	6.011
5626	5.045	5941	4.001	6391	4.009	6902	6.011
5629	4.003	5942	4.011	6414	4.015	6903	6.011
5636	5.119	5956	7.055	6416	7.019	6904	6.011
5637	5.123	5957	5.087	6418	7.021	6906	6.011
5638	5.127	5958	7.013	6419	7.031	6907	6.011
5663	7.039	5960	7.051	6427	5.007	6908	6.011
5664	7.041	5967	8.007	6441	5.155	6920	6.011
5665	4.033	5968	8.017	6462	0.056	6921	6.011
5676	5.053	5971	8.005	6527	5.081	6923	6.011
5677	5.079	5988	2.043	6567	5.015	6930	6.015
5679	5.057	5990	4.017	6571	7.029	6946	6.011
5682	5.069	5991	4.019	6583	5.121	6955	5.035
5683	5.061	5992	5.093	6592	0.068	6957	5.075
5685	5.063	5994	5.031	6614	7.023	6966	6.041
5686	5.065	5996	1.081	6642	5.115	6980	6.013
5689	5.047	5997	1.083	6659	2.053	6981	6.013
5690	5.049	5999	1.119	6666	5.157	6982	6.013
5695	5.071	6001	1.075	6669	5.149	6983	6.013
5708	5.017	6002	2.015	6691	5.100	6990	6.033
5715	7.049	6003	2.045	6697	5.141	6992	6.033
5720	5.055	6012	5.095	6698	8.009	8000	6.009
5722	7.001	6040	8.015	6699	5.025	8002	6.009
5724	5.161	6042	8.011	6700	5.025	8005	6.009
5733	0.057	6043	8.019	6701	5.025	8011	6.039
5766	5.043	6048	4.005	6706	5.137	8012	6.045
5767	5.058	6052	7.057	6707	5.089	8014	6.039
5791	4.007	6069	5.001	6710	2.051	8019	6.025
5801	8.003	6073	5.099	6795	5.033	8033	6.005
5811	5.117	6080	5.037	6738	5.025	8035	6.005
5814	8.023	6084	5.085	6740	1.089	8045	6.035
5826	7.059	6090	8.013	6758	5.133	8170	1.153
5827	7.061	6091	8.001	6770	5.077	8187	2.047
5828	5.135	6094	4.033	6786	5.059	8543	5.139
5854	5.097	6097	5.159	6800	6.029	8592	7.045
5857	5.103	6100	0.066	6810	6.029	8726	5.151
5858	5.101	6120	7.015	6811	6.029	8727	2.055